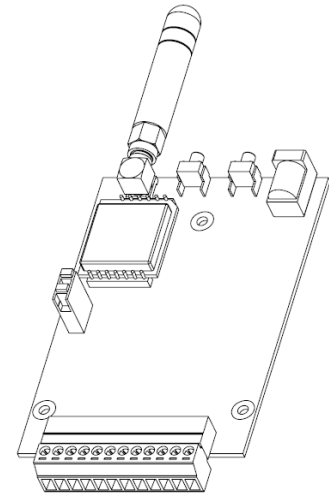


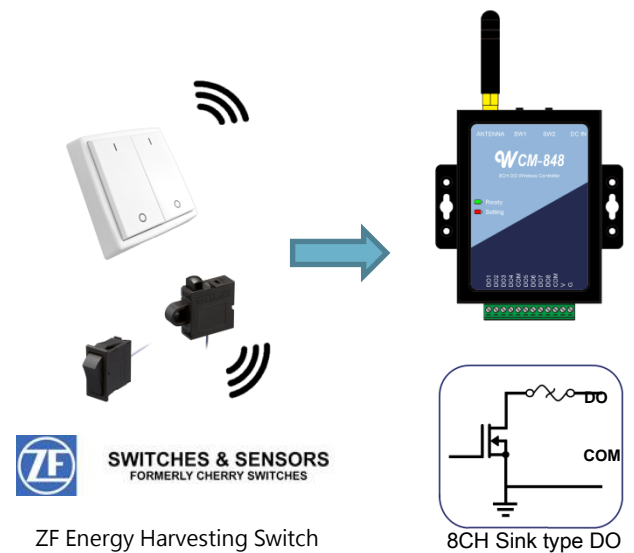
### Features

- ZF Wireless & Energy Harvesting Technology, Support ZF Switch
- Up to 64 ZF wireless batteryless switches connected possible
- Easy configuration & installation with no wires no batteries
- 8 channels programmable DO (Digital Output)
- Auto recover the latest DO state after power on
- 16 DO-combined and 4 DO action for Quick Pairing
- Advanced combination output setting via Software Tool (UART TTL)
- Up to 30 meter wireless distance in buildings
- Wireless Frequency 915MHz(North America) or 868.3MHz(Europe)

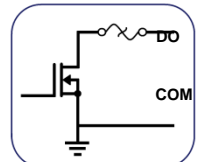


### Introduction

WCM-848 is a wireless 8 channels DO controller capable of multiple users configured with ZF Energy Harvesting Switch. ZF Energy Harvesting Switch requires no batteries or wires and long mechanical life (min. 100.000 cycles). It is easy to install, maintenance and energy saving. WCM-848 provides Quick Pairing function to pair switch via button on device easily and quickly. Use software tool can set more output combination via UART TTL cable. Combine WCM-848 with ZF switch are perfectly suited for use in Building Automation, Industrial Automation, Smart Home and Lighting.



ZF Energy Harvesting Switch



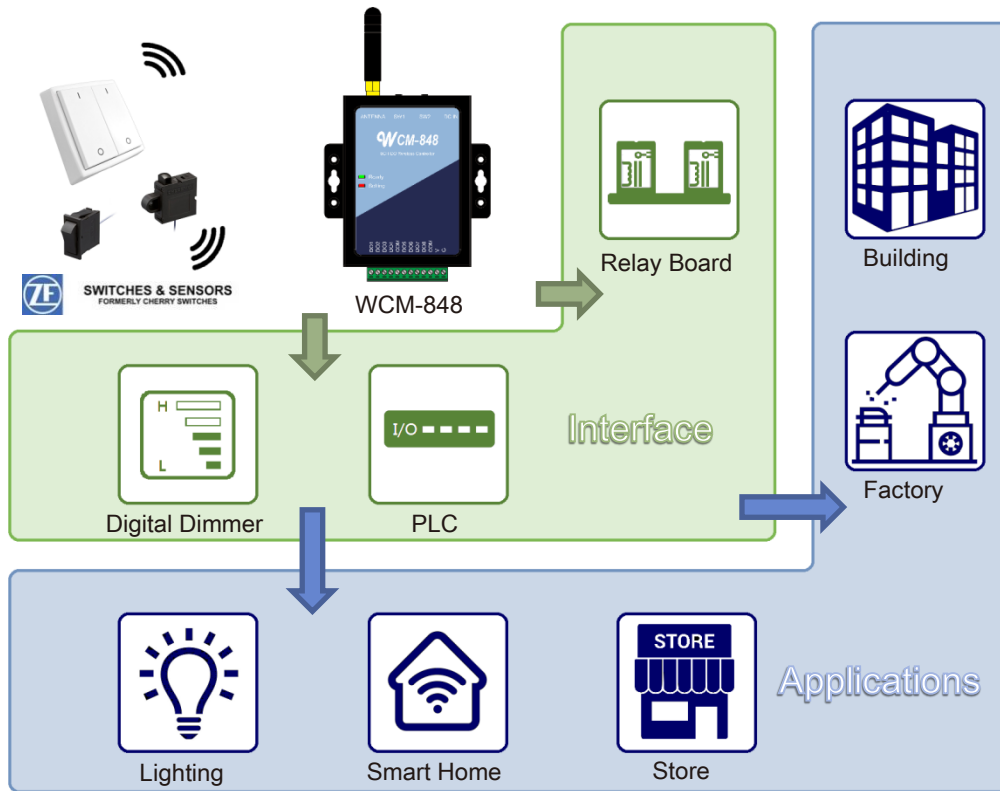
8CH Sink type DO

### Specifications

Model Name	WCM-848M
<b>General Specifications</b>	
<b>Main Power Input</b>	5Vdc,500mA or 7~12Vdc 500mA (optional)
<b>Power Consumption</b>	150mA@5Vdc
<b>RF Characteristics</b>	Frequency, 915MHz or 868.3MHz
	Sensitivity, Typ.-98dBm at 0,1% error rate (25°C)
	Transmission range, Indoor up to 30m
<b>DO Interface</b>	8 channels, 150mA sink-type, Vds 30Vdc max.
<b>V Output</b>	Depending on input voltage, 1.5A max
<b>Temperature</b>	Operating -10~70°C
<b>Relative Humidity</b>	80% max.
<b>Dimensions</b>	65.8mm (W) x 158.6mm(L) x 17.4mm(H)
<b>Weight</b>	55±5g

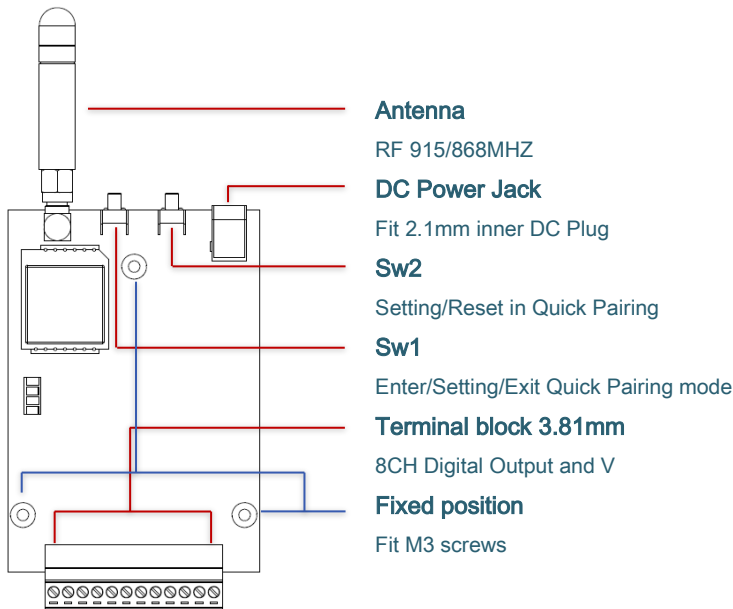
Supported ZF Switch List	
<b>ZF Energy Harvesting Switch</b>	
<b>RF Rocker Switch</b>	
AFIS-1003, 868 MHz	
AFIS-5003, 915 MHz	
<b>RF Snap Switch</b>	
AFIS-1002, 868 MHz	
AFIS-5002, 915 MHz	
<b>1-way Push button</b>	
AFIM-1007, ZF 868 MHz	
<b>2-way Push button</b>	
AFIM-1013, ZF 868 MHz	
With pushbutton cover	

### Applications

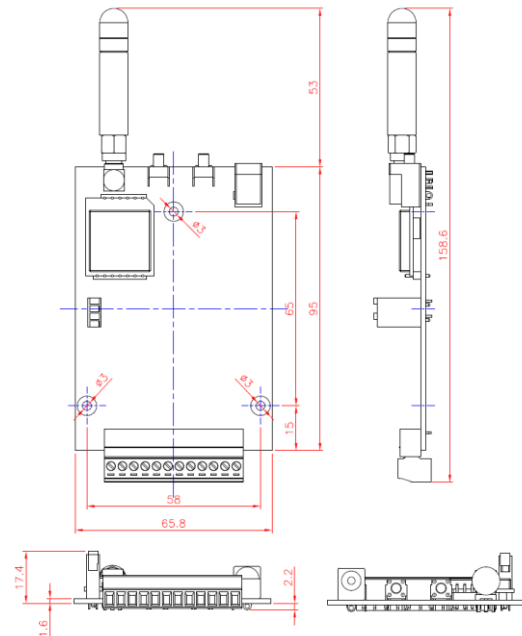


WCM-848 can be used in a variety of applications such as industrial automation and building automation, smart home or medical technology. Combine WCM-848 with other digital I/O products for efficient and convenient control of lighting, relay switch and digital device. It also compatible with any ARDUINO, RASPBERRY boards to extend application easily. For example, use WCM-848 with a digital dimmer module can dim lighting via ZF wireless switch. Flexible pairing allows the operation of several ZF switches with one WCM-848 and vice-versa.

### Connections



### Dimension Drawing



### Ordering Information

P/N	Product Description	Operating Temp.	DC Input
WCM-848M-NA-A	8CH DO Wireless Controller Module Board(915MHz) with ZF switch	-10 ~ 70 °C	5V
WCM-848M-EU-A	8CH DO Wireless Controller Module Board (868.3MHz) with ZF switch	-10 ~ 70 °C	5V
WCM-848M-NA-B	8CH DO Wireless Controller Module Board (915MHz) with ZF switch	-10 ~ 70 °C	7~12V
WCM-848M-EU-B	8CH DO Wireless Controller Module Board (868.3MHz) with ZF switch	-10 ~ 70 °C	7~12V

Includes: • WCM-848M Controller x 1 •Antenna x 1